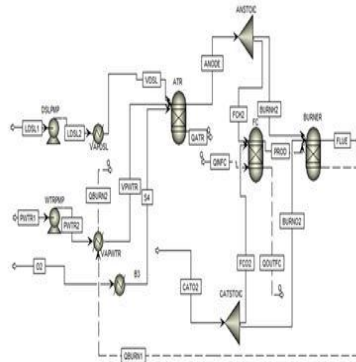
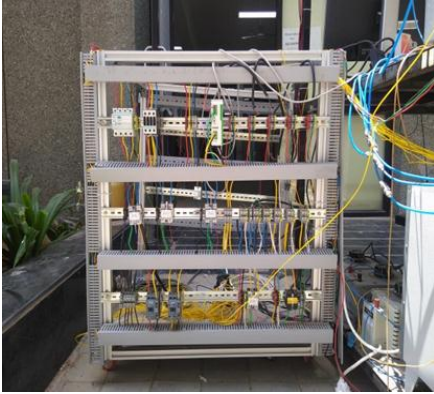


At the Fuel Cell and Gas Research Laboratory at IIT Gandhinagar, we work with fuel cell systems where our key focus is on fuel reforming techniques, multi-scale modelling and simulation of the same. With one-of-a-kind safety laboratory, we are equipped to carry out path breaking research in the fields of reactive flows. Our IMPRINT project is looking for an outstanding student to strengthen the team as soon as possible as a Junior Research Fellow.



We are looking for self-motivated and enthusiastic students to embark on applied research in experimental and simulation studies. Excellent oral and written skills in English are necessary. Graduates in the field of mechanical engineering and chemical engineering are encouraged to apply. GATE qualification is mandatory to apply for this post. People with hands on experience in this or allied fields will be preferred. The initial contract will be of six months, which may be extended up to 3 years.

Key Dates	
Last Date of Application	01/07/2018
Shortlisted Applicants announcement on website	03/07/2018
Telephonic Interview	05/07/2018
On Campus/Skype Interview	09/07/2018
Final Announcement	11/07/2018
Joining	16/07/2018

Those interested in the project are requested to fill the application form and those who wish to send the hardcopy of the application form should write "JRF-ESRL" on the envelope and send it to:

Assistant Registrar (R&D)
 Indian Institute of Technology Gandhinagar
 Palaj campus
 Gandhinagar - 382355
 Gujarat

In case of any queries, kindly contact the undersigned.

Ankit Negi
 Junior Research Fellow
 Fuel Cell and Gas Research Lab
 IIT Gandhinagar
 Email: ankit.negi@iitgn.ac.in
 ph: +91 – 987 937 350